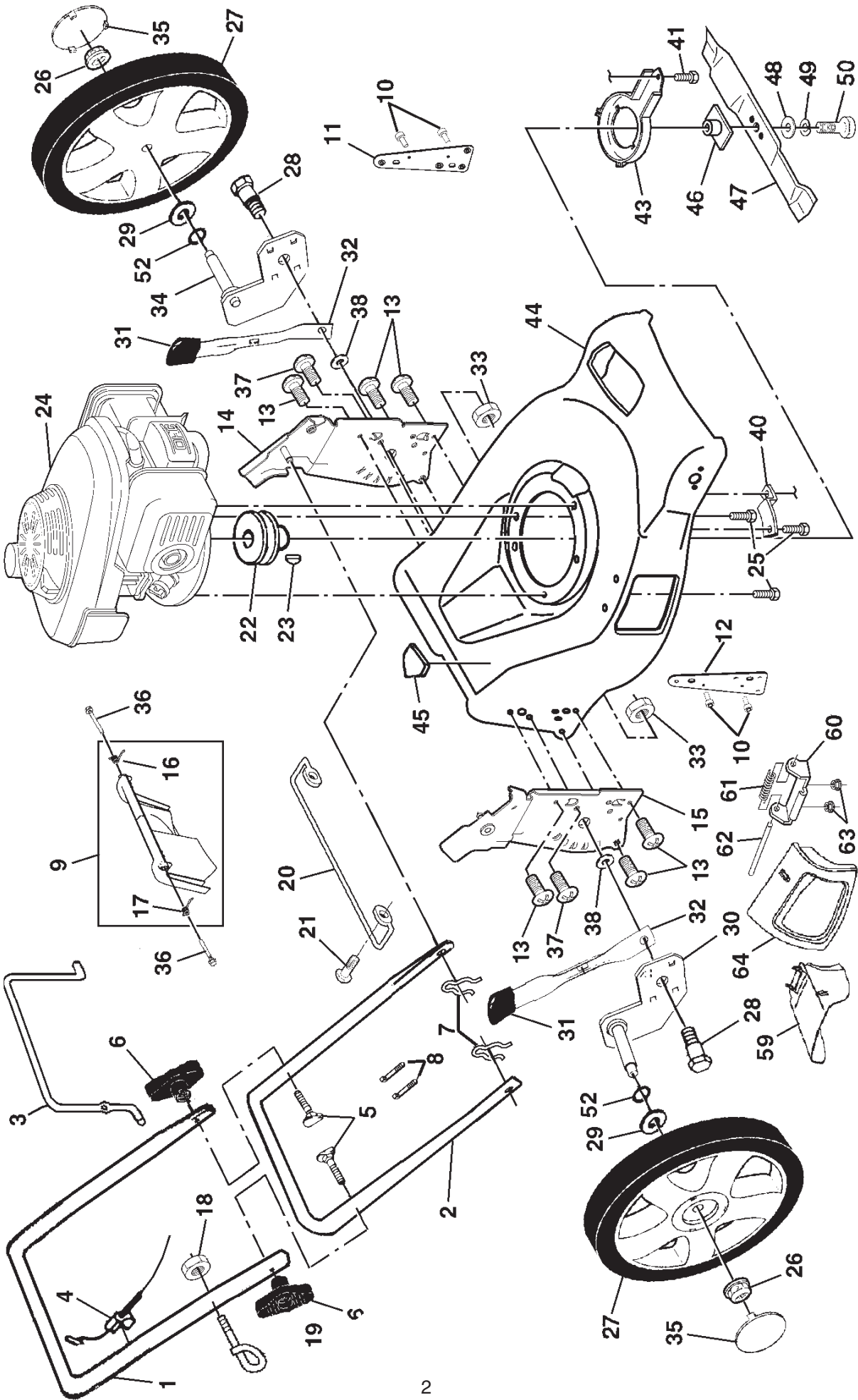


# ILLUSTRATED PARTS BREAKDOWN

**ELECTROLUX  
6.5 HORSEPOWER  
21" MULTI-CUT LAWN MOWER  
MODEL NUMBER 5553SD (PP5553HW3H)  
964 77 03-00**

ROTARY LAWN MOWER - - MODEL NUMBER 5553SD (PP5553HW3H) PRODUCT NUMBER 964 77 03-00

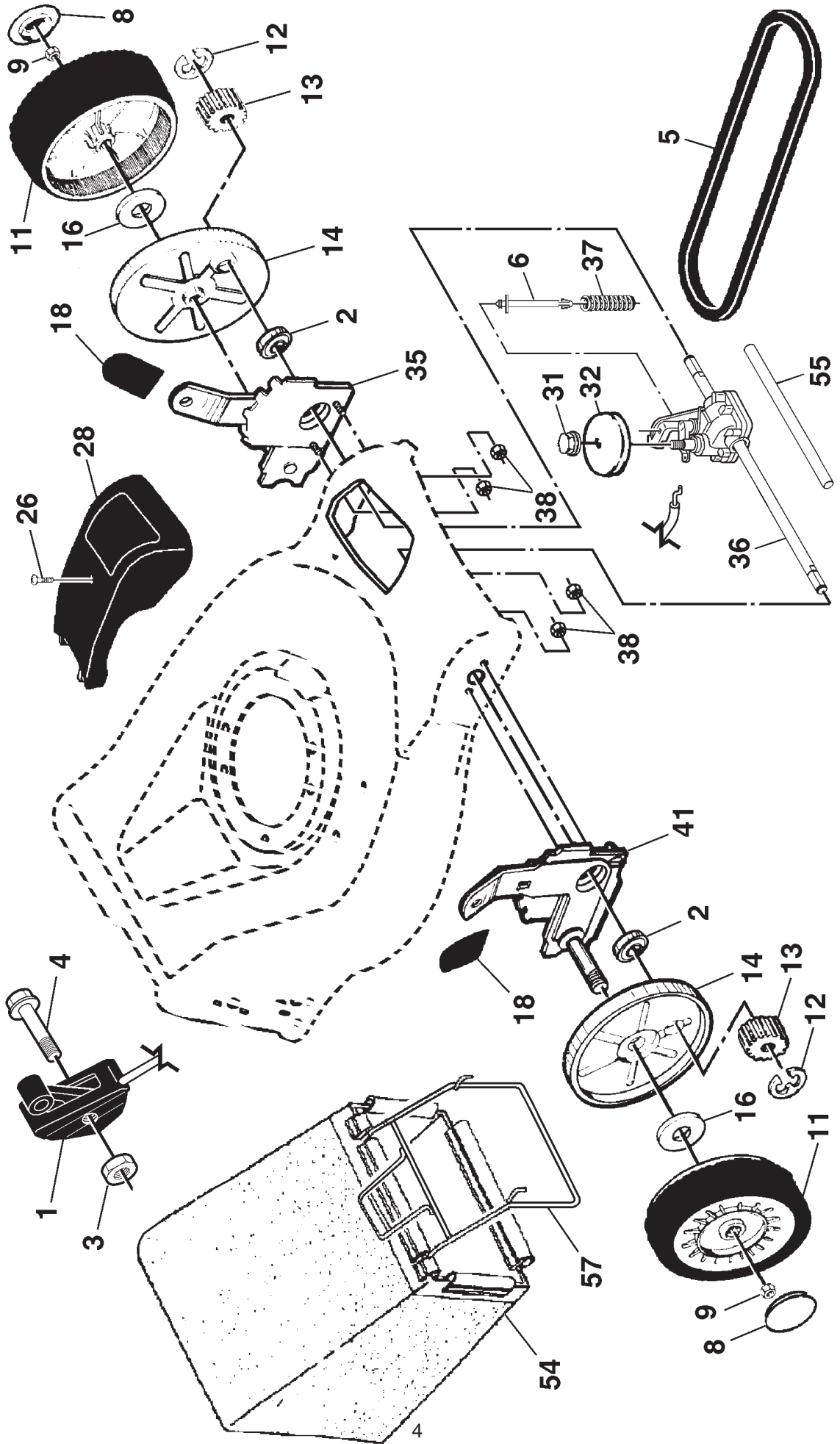


**ROTARY LAWN MOWER - - MODEL NUMBER 5553SD (PP5553HW3H) PRODUCT NUMBER 964 77 03-00**

KEY NO.	PART NO.	DESCRIPTION	KEY NO.	PART NO.	DESCRIPTION
1	532 17 80-67	Upper Handle	31	532 17 54-78	Selector Knob
2	532 15 36-05	Lower Handle	32	532 18 25-37	Selector Spring
3	532 19 00-60	Control Bar	33	873 80 05-00	Nut, Hex 5/16-18
4	532 18 27-55	Engine Zone Control Cable	34	532 18 25-42	Axle Arm Assembly, LR
5	532 19 15-74	Handle Bolt	35	<b>532 19 25-19</b>	Hubcap
6	532 19 13-90	Handle Knob	36	532 18 41-93	Bolt
7	532 05 17-93	Hairpin Cotter	37	532 15 00-78	Thread Cutting Screw w/Sems 5/16-18 x 3/4
8	532 06 64-26	Wire Tie	38	819 11 22-06	Washer
9	532 18 04-79	Rear Door Kit (Includes Key Numbers 16 and 17)	40	532 19 09-39	Mounting Bracket, Debris Shield
10	532 12 84-15	Pop Rivet	41	532 18 80-40	Screw, Debris Shield
11	532 18 25-38	Support Bracket, LH	43	532 18 87-84	Debris Shield
12	532 18 25-39	Support Bracket, RH	44	532 18 17-97	Lawn Mower Housing
13	817 06 04-10	Screw 1/4-20 x 5/8	45	532 18 21-66	(Includes Key Numbers 10, 11, 12 and 45)
14	532 18 25-43	Handle Bracket Assembly, LH	46	532 18 46-32	Danger Decal
15	532 18 25-45	Handle Bracket Assembly, RH	47	532 16 58-33	Blade Adapter
16	532 18 00-71	Spring, LH	48	532 85 10-74	Blade 21"
17	532 18 00-72	Spring, RH	49	532 85 02-63	Hardened Washer
18	532 13 20-04	Keps Locknut 1/4-20	50	532 85 10-84	Helical Washer 3/8-24 x 1-3/8 Grade 8
19	532 17 95-85	Rope Guide	52	532 18 81-52	Hex Head Machine Screw 3/8-24 x 1-3/8 Grade 8
20	532 17 92-05	Foot Guard, C.E.	59	532 17 50-71	O-Ring
21	532 05 45-83	Screw, Tapping 1/4-20 x 1/2	60	532 17 57-35	Clipping Deflector
22	532 18 49-41	Engine Pulley	61	532 17 52-85	Hinge Bracket Assembly
23	532 18 77-23	Hi-Pro Key	62	532 17 52-85	Spring
24	---	Engine, Honda, Model Number GCV160 (order parts from engine manufacturer)	63	532 17 56-50	Rod, Hinge
25	532 15 04-06	Hex Head Thread Rolling Screw 3/8-16 x 1-1/8	64	873 80 04-00	Locknut 1/4-20
26	532 08 39-23	Hex Flange Nut	--	532 18 21-34	Mulcher Door
27	532 18 17-85	Wheel	--	532 19 13-03	Decal, Self-Propelled, Internal (not shown)
28	532 16 08-28	Shoulder Bolt 5/16-18 x .33	--	532 19 13-05	Operator's Manual, European
29	532 08 83-48	Washer, Flat 3/8	--		Operator's Manual, Scandinavian
30	532 18 25-41	Axle Arm Assembly, RR			

**NOTE:** All component dimensions given in U.S. inches.  
1 inch = 25.4 mm

ROTARY LAWN MOWER -- MODEL NUMBER 5553SD (PP5553HW3H) PRODUCT NUMBER 964 77 03-00



**ROTARY LAWN MOWER - - MODEL NUMBER 5553SD (PP5553HW3H) PRODUCT NUMBER 964 77 03-00**

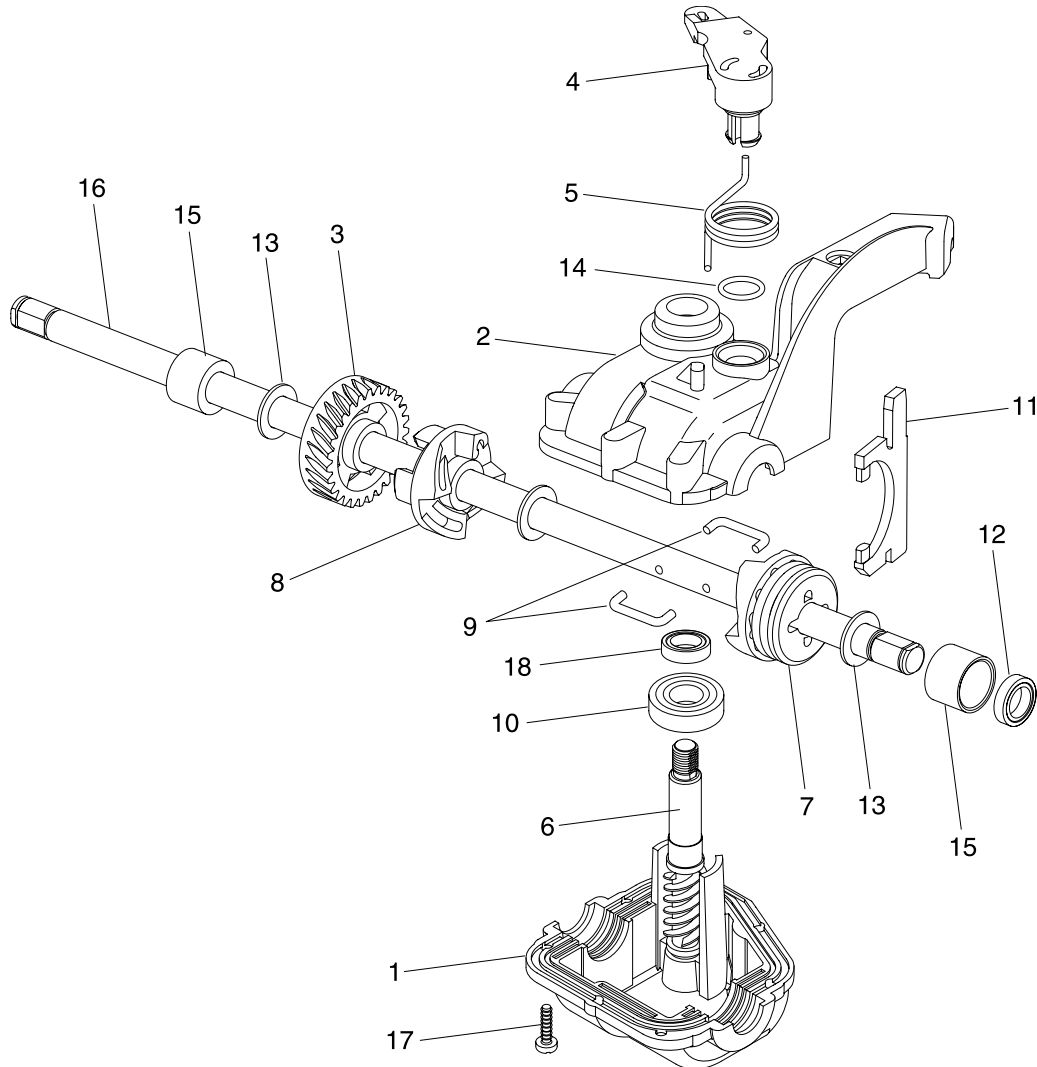
KEY NO.	PART NO.	DESCRIPTION	KEY NO.	PART NO.	DESCRIPTION
1	532 18 45-87	Control Cable Assembly	31	532 13 20-10	Hex Flange Nut
2	532 16 73-87	Bearing, Wheel Adjuster	32	532 18 94-07	Drive Pulley
3	532 19 17-30	Nut, Hex, Flanged 1/4-20	35	532 15 15-21	Kit, Wheel Adjuster, LH (Includes Knob and Bearing)
4	532 15 87-55	Hex Washer Head Screw 1/4-20 x 2.12	36	532 18 01-84	Gear Case Assembly (See Breakdown)
5	532 17 54-36	V-Belt	37	532 13 70-90	Spring
6	532 15 04-95	Spring Retainer	38	873 80 04-00	Locknut 1/4-20
8	532 16 43-78	Hubcap	41	532 15 15-20	Kit, Wheel Adjuster, RH (Includes Knob and Bearing)
9	532 14 52-12	Locknut	54	<b>532 18 40-12</b>	Grassbag
11	532 18 07-67	Wheel & Tire Assembly	55	532 17 57-39	Driveshaft Cover
12	812 00 00-58	E-Ring	57	<b>532 18 39-93</b>	Frame, Grassbag
13	532 13 70-54	Pinion			
14	532 18 94-03	Dust Cover			
16	532 06 77-25	Washer 1/2 x 1-1/2 x .134			
18	532 17 01-43	Selector Knob			
26	532 17 52-62	Pan Head Tapping Screw #10-24 x 2-3/4			
28	532 18 03-29	Drive Cover			

**NOTE:** All component dimensions given in U.S. inches.  
1 inch = 25.4 mm

# ROTARY LAWN MOWER - - MODEL NUMBER 5553SD (PP5553HW3H)

## PRODUCT NUMBER 964 77 03-00

### GEARCASE ASSEMBLY - - PART NUMBER 532 18 01-84



KEY NO.	PART NO.	DESCRIPTION
1	532 18 34-97	Case, Lower
2	532 18 34-98	Case, Upper
3	532 18 34-99	Gear, 27 Teeth
4	532 18 35-00	Lever, Clutch
5	532 18 35-01	Spring, Return
6	532 18 35-02	Shaft, Input
7	532 18 35-03	Dog, Movable
8	532 18 35-04	Dog, Fixed
9	532 18 35-05	Wire, Formed
10	532 18 35-06	Bearing, Ball
11	532 18 35-07	Fork, Shift
12	532 18 35-08	Seal, Output Shaft
13	532 18 35-09	Washer
14	532 18 35-10	Seal, Case
15	532 18 35-11	Bushing
16	532 18 35-12	Shaft, Output
17	532 18 35-13	Screw
--	532 18 34-04	Kit, Gearcase Replacement

**NOTE:** Use Dow Corning #709 to reseal Gear Case Halves.

**NOTE:** All component dimensions given in U.S. inches.  
1 inch = 25.4 mm